

DOUBLE THROW TRANSFER SWITCH INSTALLATION REQUIREMENTS

INSTALL WIRING AND EQUIPMENT TO MEET **NEC** REQUIREMENTS, LOCAL REGULATIONS, AND THE REQUIREMENTS OF THE POWER SUPPLIER.

SINGLE PHASE STANBY GENERATORS ARE CONNECTED TO THE ELECTRICAL SERVICE BY A DOUBLE-POLE, DOUBLE THROW TRANSFER SWITCH.

THIS PREVENTS ACCIDENTALLY FEEDING POWER BACK INTO THE UTILITY LINES, TO THE NEIGHBORS OR TO UTILITY WORKERS SERVICING THE LINES, AND PROTECTS THE GENERATOR FROM DAMAGE WHEN THE POWER IS RESTORED.

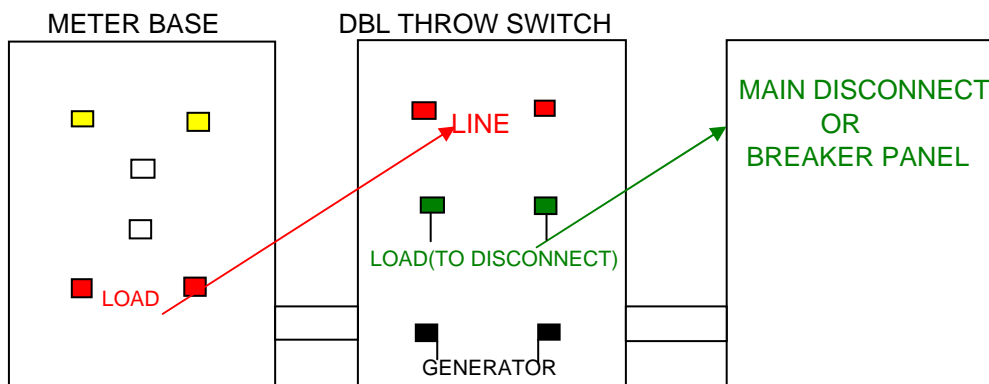
BE SURE THE SWITCH IS RAIN TIGHT, AND PROPERLY GROUND IT.

SIZE THE SWITCH ACCORDING TO THE RATING OF THE SERVICE ENTRANCE.

COMMON SIZES ARE 100 AMP, 200 AMP, OR 400 AMP.

INSTALL THE SWITCH ***BETWEEN THE METER AND THE MAIN DISCONNECT.***

**WHEN THE SWITCH IS IN THE UP POSITION, IT IS CONNECTED TO THE UTILITY AND LOAD.
WHEN THE SWITCH IS IN THE DOWN POSITION, IT IS CONNECTED TO THE GENERATOR AND LOAD.**



**NOTE: CONNECT THE LOAD SIDE OF THE METER BASE TO THE
LINE SIDE OF THE DBL. THROW TRANSFER SWITCH**